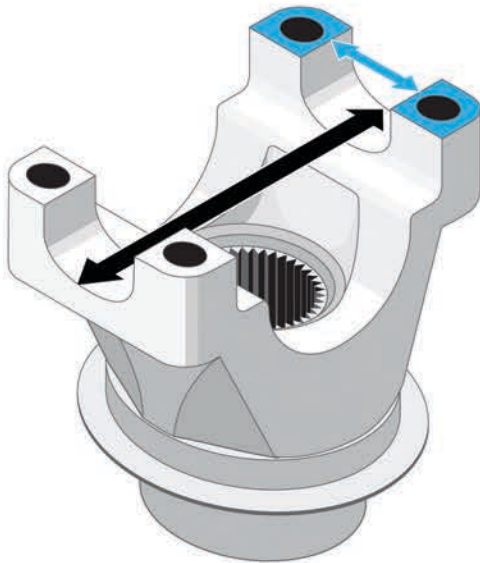




Measuring for the U-Joint

For the yoke measurement, it is important to determine if your yoke has tabs or not and measure accordingly.

YOKE NO-TAB



YOKE TAB

